

Model: H 500

Commercial Pass Through Dish Washer



Product Advantages



Mike-1

Fully electronic control with integrated infrared technology



Delicate Wash Protection

Soft-start feature starts the wash pump slowly and gradually builds water pressure, protecting glassware from shifting or breaking



Optimal Wash Performance

Powerful stainless steel upper and lower rotating wash and rinse systems.

Original Eco Filter System

Provides exceptional cleaning results thanks to wash water filtration with dirt removal capabilities and optimal tank water regeneration

Technical Data

Water consumption L/basket		3.0
Basket dimensions in mm		500 x 500
* Program Cycles in seconds		90/150/240
1.0	Drain hose connection Pump out drain	Hose 3/4"
1.1	Drain max. 700mm above floor level	DN 50
2.0	Water connection point	DN 20
2.1	Water supply	Hot water Max 60°C 53.4 ppm water hardness 250-500Kpa flow pressure
3.0	Power connection	Lead 1,400mm long
3.1	Power Supply	3NPE 400V 50Hz, 8.5Kw 17.2A

* For connection to cold water and/or short basket exchange times, the wash cycles may increase to achieve hygienic final rinse temperatures

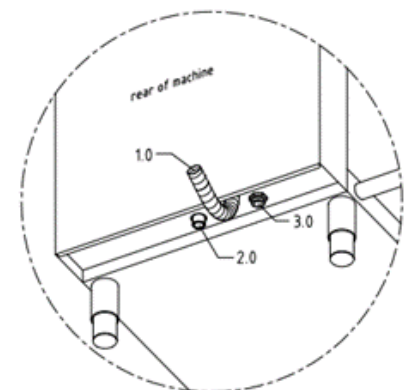
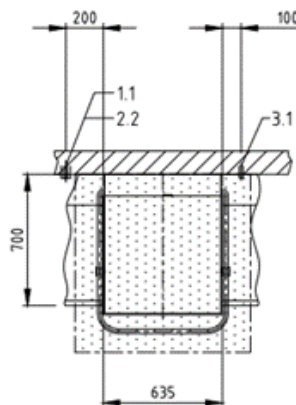
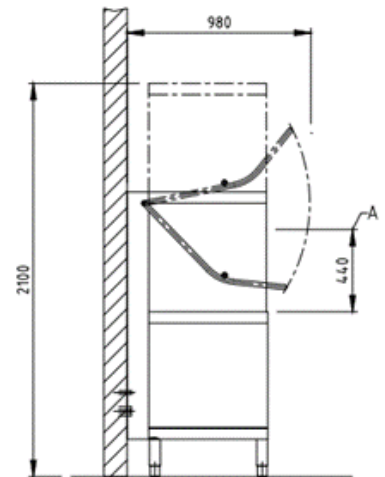
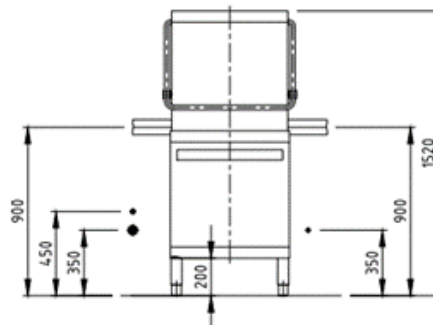
Heat Is Retained In The Machine

Double wall construction, saves energy and reduces operating costs

Ready To Install

Supplied with fill and drain hoses. Electrical cable, detergent and rinse aid and supply lines (Watermark Approved)

Drawing Dimensions



✓ Perfect Results Every Time

Equipped with rinse and drain pumps as standard features

✓ Ideal For Tall Dishware

440mm entry height

✓ Easy To Clean

Self-clean cycle for easy, hygienic cleaning of the wash chamber