



modular E-2006 PIZZA S-730

Electrical polyvalent oven for trays formed by two modules or independent chambers apilables that allow to mount the oven so that it adapts to the current and future needs of the client.

STRUCTURE

Oven door

Double low-emissivity glass.

The glass is easy to replace and to clean.

Allogenic lighting

Baking Chamber

Fixed.

Aluminized sheets in the oven sides.

The soil and ceiling are black blued steel.

Control Panel

It allows to adapt the program to the baking product, controlling the dosage of resistances, temperature and baking time.

NEWS

Lower consumption

The POWER MASTER CONTROL system allows it to operate 33% bellow nominal power.

Better baking

The system of electrical resistances crossing the ceramic bricks, the heart of the SALVA modular oven, ensures excellent baking.

More programs

The new control panel has up to 100 different programs allowing different baking phases.

Connectivity

The E-FUTURE control panel means it can connect to the internet via the SALVA LINK program and be controlled from any mobile device.

Temperature

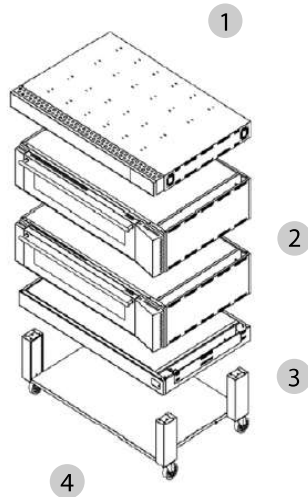
The baking temperatura reaches at 400°C with reforced

OVEN COMPOSITION AND DETAILS

- 1 Top module
Essential.
Height: 165 mm.

- 3 Base
Essential.
Height: 150 mm.

- 4 Support E-730
Legs height: 730 mm.
Wheels height: 200 mm.



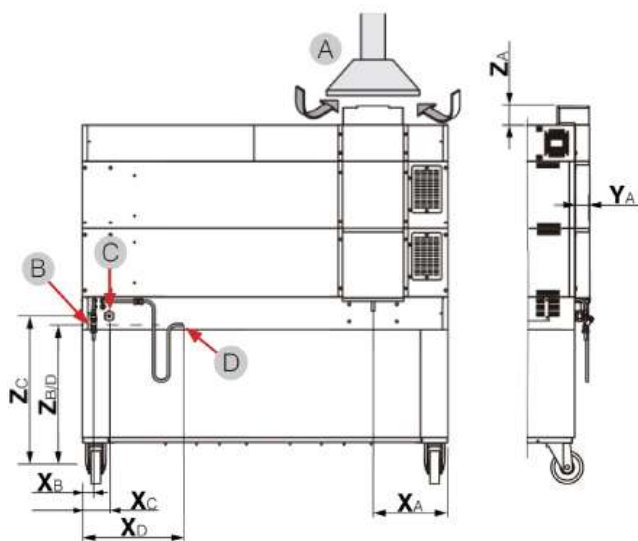
- 2 Two modules E-20-PIZZA
Height: 315 mm/module.
Capacity: 8 pizzas diam 30 mm.
Total capacity: 16 pizzas diam. 30 mm.

Total kW	kW/module	V	A	Hz	Consumption
19,6 kW III+N+T	9,8 kW III+N+T	230	21.6	50/60	0.99 kWh/kg
		400	11.7		

INSTALLATIONS IN DETAIL

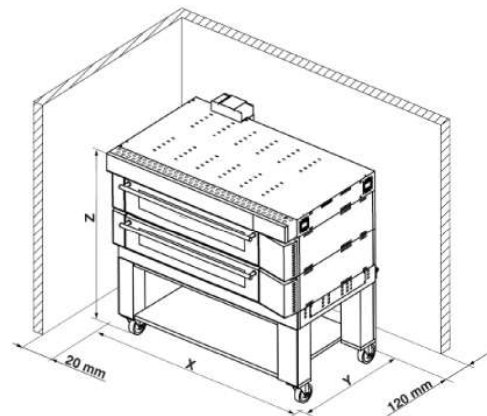
- A Baking chamber fumes chimney
It is recommendable to use a standard independent insulated damper of 200 mm (6.9") inside diameter.

- B Electric power supply
The electrical connection should be performed by authorized professionals, following the rules in force in each country.



GENERAL DIMENSIONS

Weight: 580 kg. ■



X	Y	Z
1717 mm	1250 mm	1860 mm

Facilities location (mm) ■

	X	Y	Z
A Baking chamber fumes chimney	353,5	73	88
B Electric power supply	120	-	695