



## modular E-3009 V3 S435

Electrical polyvalent oven for trays formed by three modules or independent chambers apilables that allow to mount the oven so that it adapts to the current and future needs of the client.

### STRUCTURE

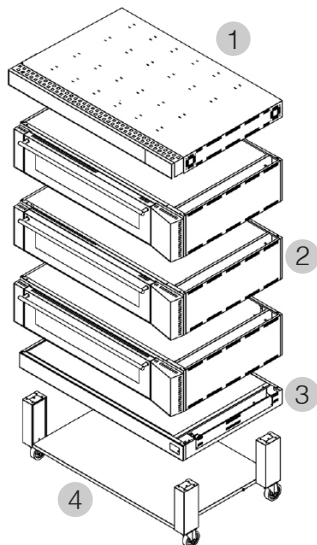
- Oven door  
Double low-emissivity glass.  
The glass is easy to replace and to clean.
- Allogenic lighting
- Boiling Chamber  
Fixed.  
Aluminized sheets in the oven sides.  
The soil and ceiling are black blued steel.
- Control Panel  
It allows to adapt the program to the boiling product, controlling the dosage of resistances, the injection of steam time, temperature and boiling time.
- Steam  
Rapid recovery steam producer.

### NEWS

- Lower consumption ■  
The POWER MASTER CONTROL system allows it to operate 33% bellow nominal power.
- Better baking ■  
The system of electrical resistances crossing the ceramic bricks, the heart of the SALVA modular oven, ensures excellent baking.
- More programs ■  
The new control panel has up to 100 different programs allowing different baking phases.
- Connectivity ■  
The E-FUTURE control panel means it can connect to the internet via the SALVA LINK program and be controlled from any mobile device.

## OVEN COMPOSITION AND DETAILS

- 1 Top module  
Essential.  
Height: 150 mm.
- 3 Base  
Essential.  
Height: 150 mm.
- 4 Support E-435/02  
Legs height: 435 mm.  
Wheels height: 200 mm.

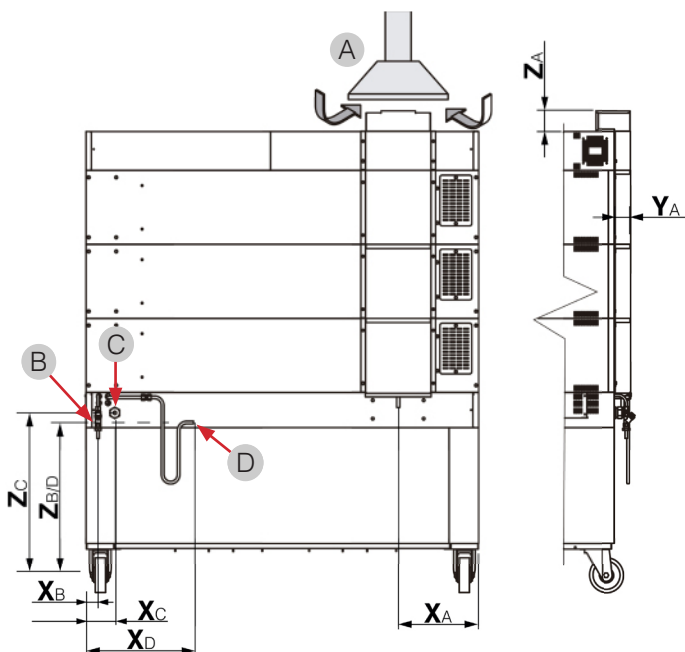


- 2 Three modules E-20+V  
Height: 315 mm/module.  
Capacity: 3 trays (60 x 40 cm)/module.  
Total capacity: 9 trays (60 x 40 cm).

Total kW	kW/module	V	A	Hz	Consumption
27.06 kW III+N+T	7.8 kW + 1.4 kW (PV)	230	21.6	50/60	0.99 kWh/kg
		400	11.7		

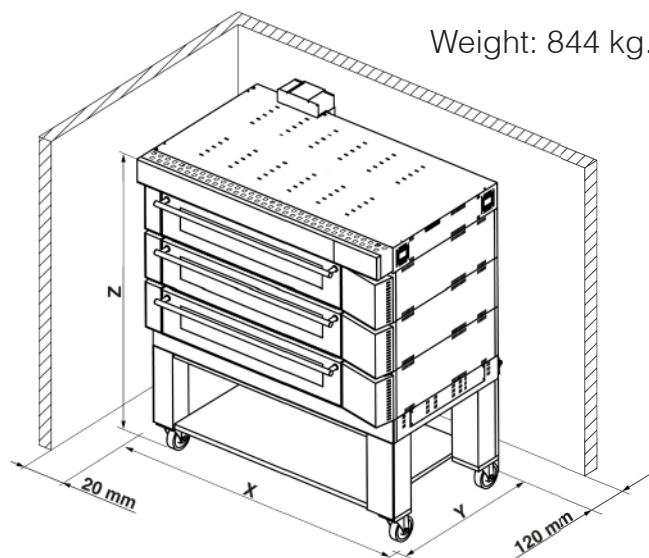
## INSTALLATIONS IN DETAIL

- A Baking chamber fumes chimney  
It is recommendable to use a standard independent insulated damper of 200 mm (6.9") inside diameter.
- B Water supply  
Outlet water pressure between 1,5 and 2,5 kg/cm<sup>2</sup>.  
End of the tube with 1/2 "(23.3 mm) male connector.  
Connection to the oven by 10 mm minimum internal diameter flexible hose.
- C Electric power supply  
The electrical connection should be performed by authorized professionals, following the rules in force in each country.
- D Drainage  
Essential in modules with steam.  
1" (33.7 mm) tube of metal or heat-resistant material.  
Connection to the oven by 14 mm internal diameter flexible hose.



## GENERAL DIMENSIONS

Weight: 844 kg. ■



X	Y	Z
1717 mm	1053 mm	1895 mm

Facilities location (mm) ■

	X	Y	Z
A Baking chamber fumes chimney	353,5	73	88
B Water supply	60	-	735
C Electric power supply	120	-	695
D Drainage	100	-	735